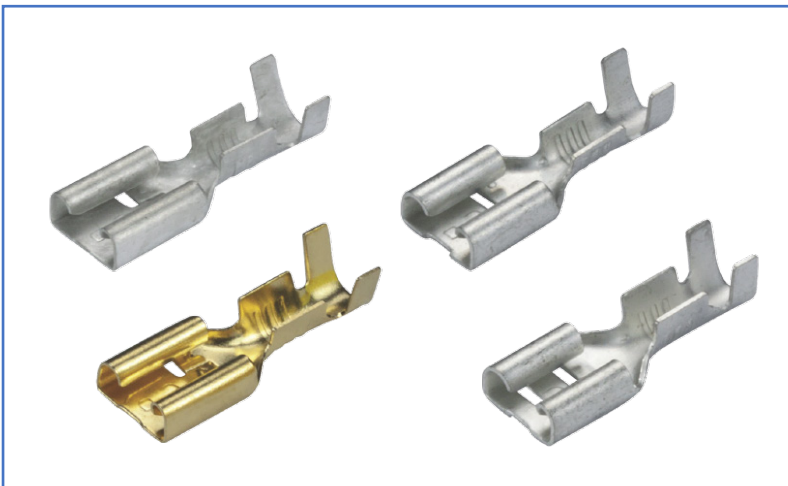


Quick Disconnects

Uninsulated Disconnects

- **Materials:** (UNFS63-1.5, UNFS63-2.5, UNFS2.5LK)
Conductor: Brass
Plating: Tin
(UNFS63LB2.5)
Conductor: Brass
- **Features:** UNFS2.5LK & UNFS63LB2.5 - Locking notch terminals.

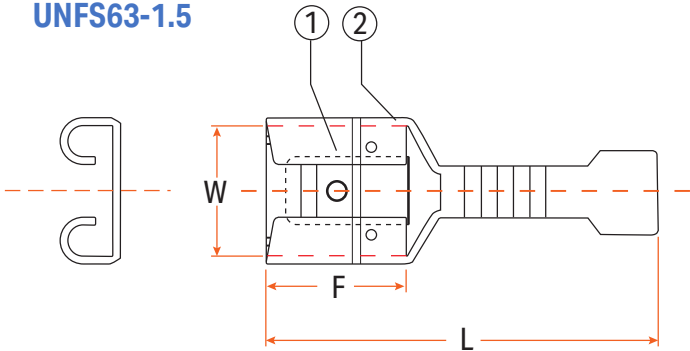


Item No.	Dimensions (mm)			
	Tab Size	W	L	F
WT84	1.5 x 6.3	6.8	19	7.4
WT85	2.5 x 6.3	6.6	19	7.4
WT89	2.5 x 6.3	6.8	19	7.4
UNFS63LB2.5	2.5 x 6.3	6.8	19	7.4

Quick Disconnects

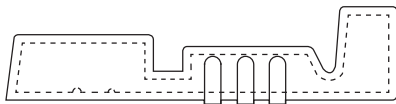
Uninsulated Disconnects

UNFS63-1.5

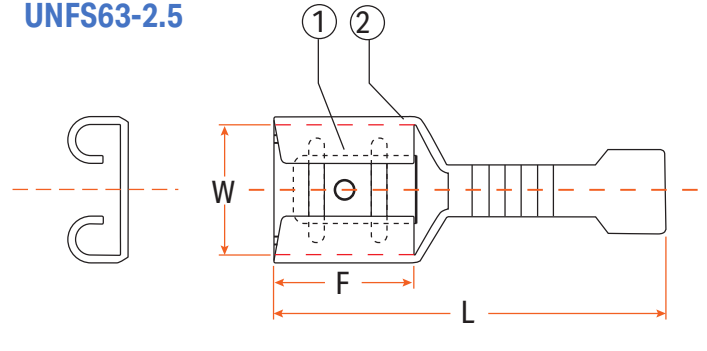


Material

- ① Brass
- ② Tin

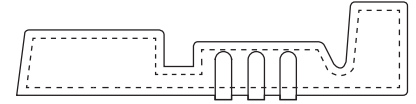


UNFS63-2.5

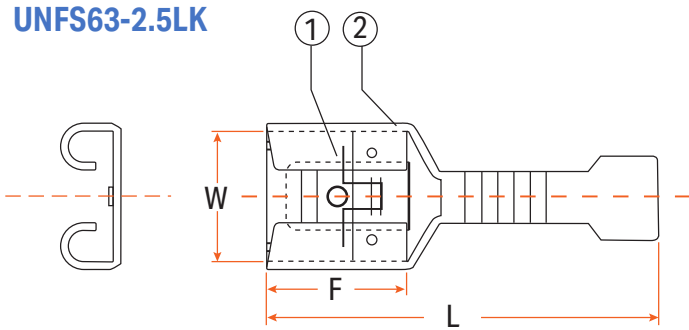


Material

- ① Brass
- ② Tin

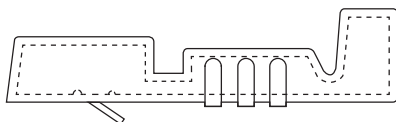


UNFS63-2.5LK

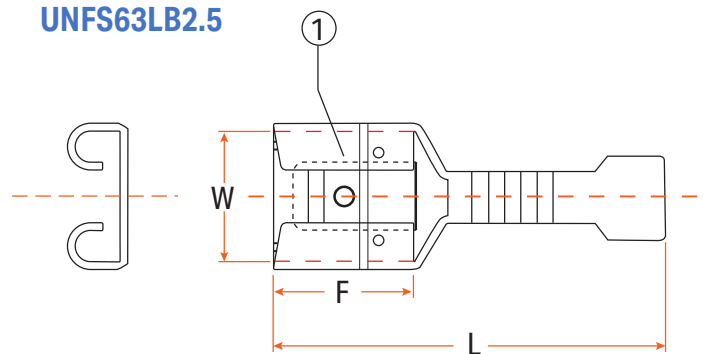


Material

- ① Brass
- ② Tin



UNFS63LB2.5



Material

- ① Brass

